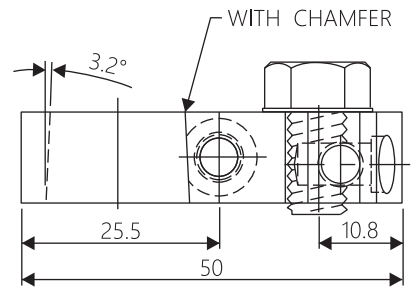
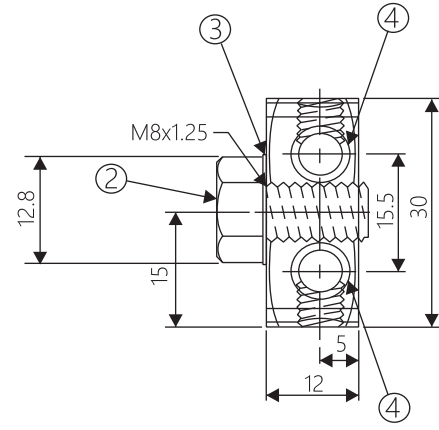
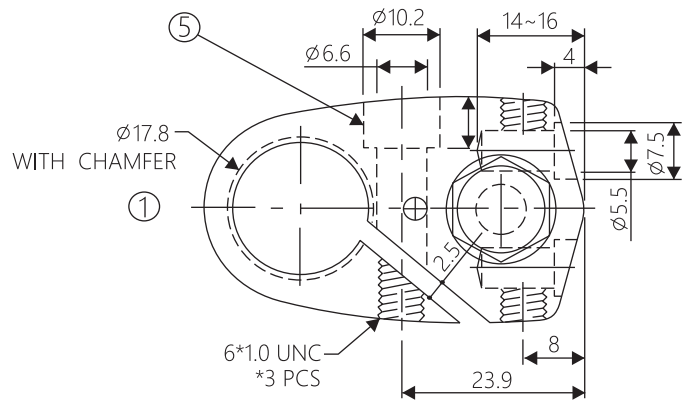



REV	DESCRIPTION	DATE
A	Initial Release	02.12.03



# GENERAL TOLERANCE UNLESS SPECIFIED  
± 0.3MM

⑤	INNER HEX. HEAD SCREW	M6x1.0 STAINLESS STEEL	1 PCS
④	SET SCREW	M6x1.0 STAINLESS STEEL	2 PCS
③	WASHER	8.5x16x1.5 STAINLESS STEEL	1 PCS
②	HEX. HEAD SCREW	M8x1.25 STAINLESS STEEL	1 PCS
①	MAIN BODY	BRASS SATIN NICKEL PLATED	1 PCS
ITEM NO.	PART NAME	SPEC.	Q'TY

 <b>Truecom Technology Corp.</b>				<b>DRAWN BY</b> TOMMY
				<b>CHECKED</b> TOMMY
<b>TITLE:</b> Car Battery Terminal ( + )		<b>APPROVED</b> CAROL		
<b>PART NO:</b> BT-2300S-P		<b>DRAWING NO.</b>		
<b>SCALE</b> /	<b>REV</b> A	<b>UNIT</b> mm	